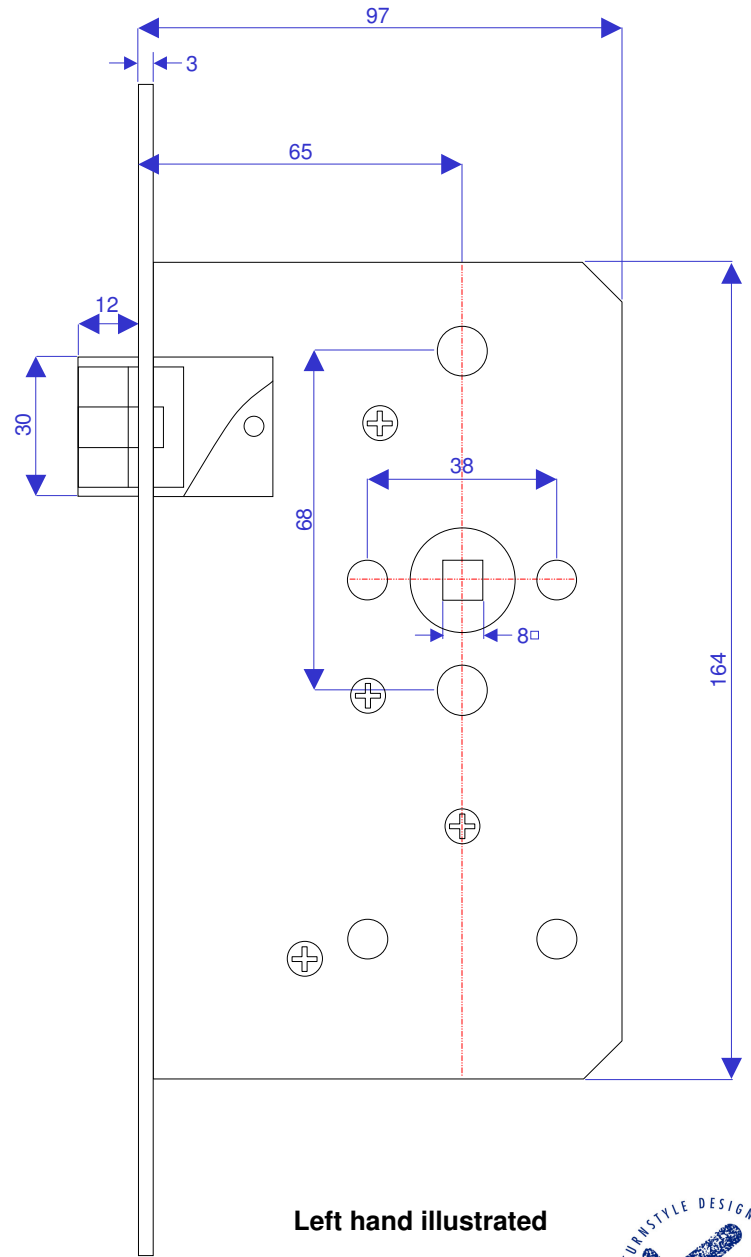
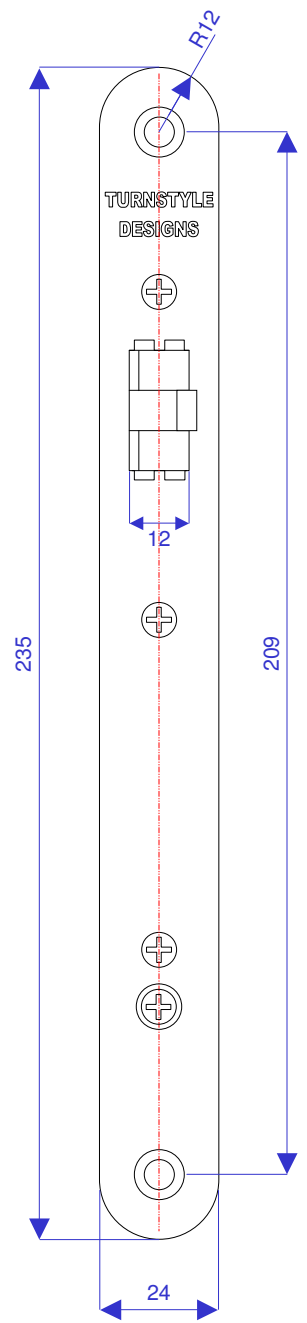
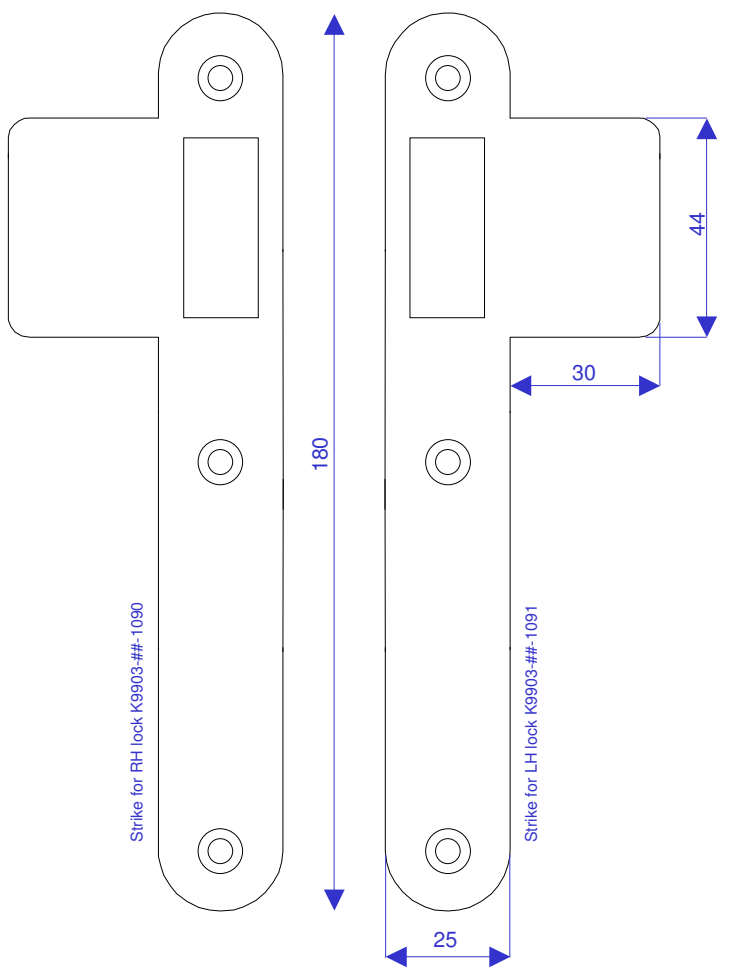


Marine Grade Anti-Vibration Mortise Latch – 65mm backset

K9903-##-1090 (Right Hand)

K9903-##-1091 (Left Hand)

Metric (millimetre) drawing



Left hand illustrated

Not to scale

