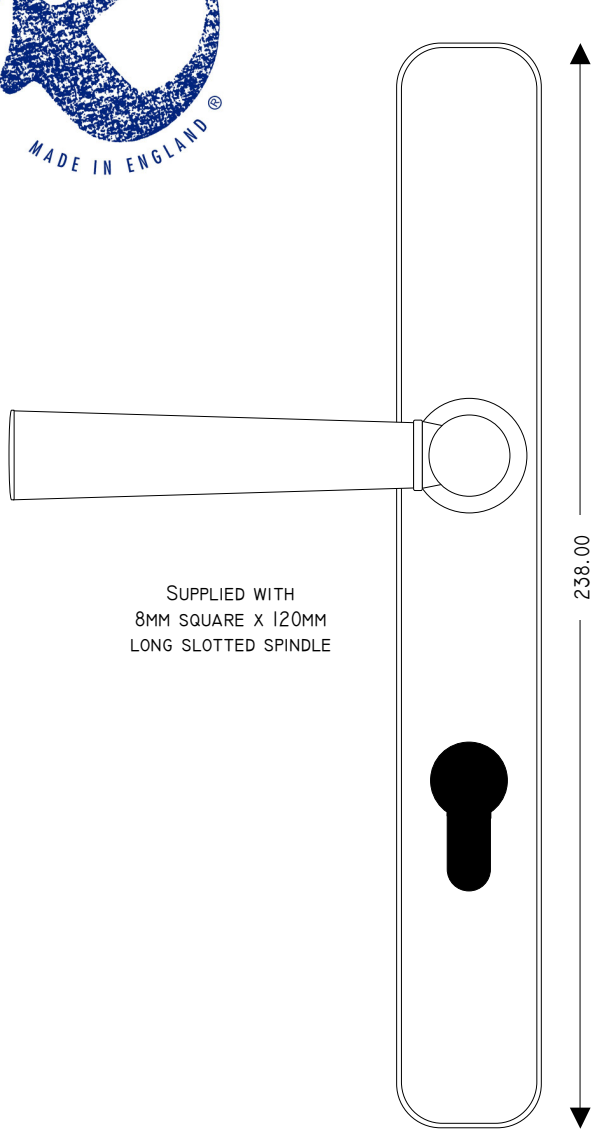




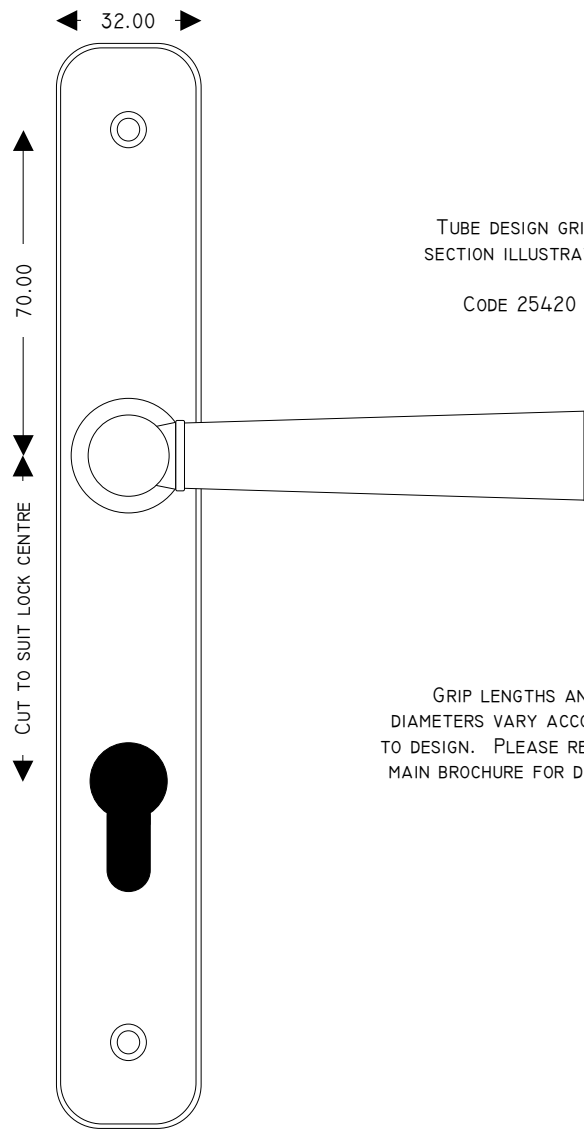
# LEVER ON SECURITY BACKPLATE



SUPPLIED WITH  
8MM SQUARE X 120MM  
LONG SLOTTED SPINDLE

EXTERNAL  
HANDLE

CAN BE SUPPLIED  
BLANK OR WITH  
CYLINDER CUT OUT



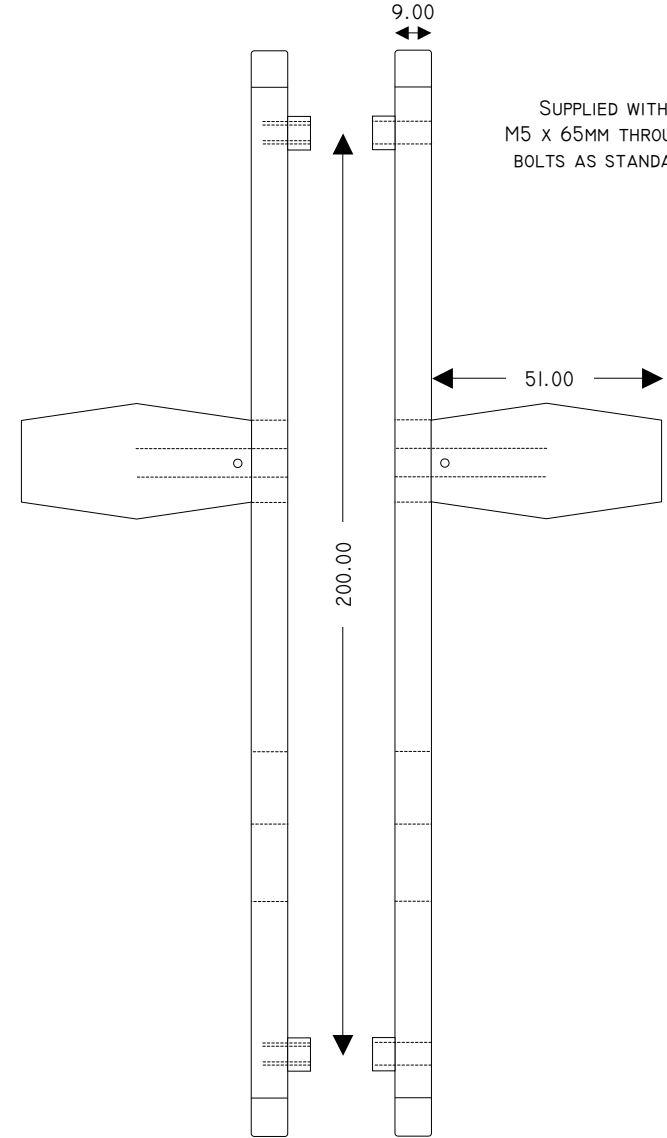
CUT TO SUIT  
LOCK CENTRE

INTERNAL  
HANDLE

TUBE DESIGN GRIP  
SECTION ILLUSTRATED

CODE 25420

GRIP LENGTHS AND  
DIAMETERS VARY ACCORDING  
TO DESIGN. PLEASE REFER TO  
MAIN BROCHURE FOR DETAILS.



SUPPLIED WITH  
M5 X 65MM THROUGH  
BOLTS AS STANDARD

NOT DRAWN TO SCALE

ALL DIMENSIONS IN MILLIMETRES

DIMENSIONS SUBJECT TO CHANGE WITHOUT PRIOR NOTIFICATION